

Three-phase On-grid String Inverter

SPI15K~25K-B X2 Series



Product Features

Efficient and flexible

- 2 independent MPPT, max. conversion efficiency 98.6%
- Compatible with large current PV modules

Safe and reliable

- IP66 for outdoor application
- AFCI protection, proactively eliminate security risk
- Integrated AC/DC full lightning protection

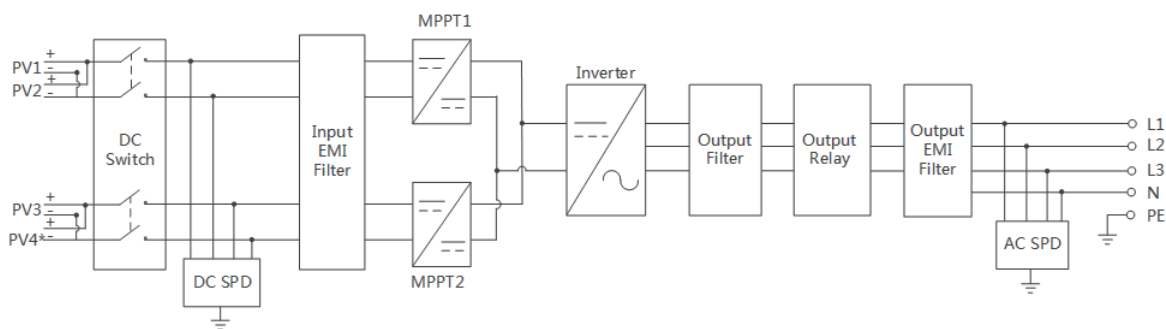
Intelligent management

- I&V Intelligent diagnosis
- Intelligent cloud platform monitoring, realize real-time monitoring
- Support RS485, 4G, Wifi, Bluetooth and other communication methods
- Remote online upgrade, convenient and efficient

Grid friendly

- Grid-connected current harmonics <3%, green adapts to grid
- Ultra wide grid voltage range

Function Diagram



* PV4 is available for SPI20K~25K-B X2

Technical Specification

Items	SPI15K-B X2	SPI17K-B X2	SPI20K-B X2	SPI23K-B X2	SPI25K-B X2
DC Input (PV)					
Max. PV input voltage	1100Vdc				
Rated input voltage	600Vdc				
Max. PV input current	30A/15A				30A/30A
No. of MPPTs	2				
No. of PV strings per MPPT	2/1				2/2
MPPT voltage range	180~1100Vdc				
Starting voltage	150Vdc				
DC switch	Yes				
AC Output (On-grid)					
Rated AC output power	15kW	17kW	20kW	23kW	25kW
Max. output power	16.5kVA	18.7kVA	22kVA	25.3kVA	27.5kVA
Rated AC output voltage	380/400/415Vac				
Rated output current	21.7A	24.5A	28.9A	33.2A	36.1A
Max. output current	23.8A	27.0A	31.8A	36.5A	39.7A
Rated grid frequency	50Hz/60Hz				
Grid frequency range	45~55Hz/55~65Hz				
Power factor	>0.99 (rated power)				
Adjustable power factor	0.8 (leading)~0.8 (lagging)				
THDi	<3% (rated power)				
Efficiency					
Max. efficiency	98.60%				
European efficiency	98.10%				
MPPT efficiency	99.90%				
Function and protection					
Anti-islanding	Yes				
DC (PV) reversed connection	Yes				
AC short circuit protection	Yes				
Temperature protection	Yes				
Surge protection	DC Type II & AC Type II				
AFCI function	Yes (optional)				
Integrated PID function	Yes (optional)				
IV curve scan and diagnosis	Yes (optional)				
Zero-export function	Yes (optional)				
General					
Dimensions (W×H×D)	480×428×180mm				
Weight	17kg				
IP grade	IP66				
Self-consumption at night	<1W				
Cooling type	Intelligent forced air cooling				
Altitude	4000m (>3000m derating)				
Operating temperature	-35°C~60°C				
Relative humidity	0~100%				
Display	LED+APP				
DC terminal	MC4 Terminal				
AC terminal	OT Terminal				
Installation method	Wall-mounted				
Communication	RS485, DRM (optional), WiFi (optional)/4G (optional), Bluetooth (optional)				
Certification	IEC/EN62109-1, IEC/EN62109-2, EN61000, IEC62116, IEC61727, EN50549-1				

- Specifications are subject to change without prior notice.

Kehua Digital Energy

Add: No. 457, Malong Road, Torch High-Tech Industrial Zone, Xiamen Fujian China

Tel: +86-592-5160516 Fax: +86-592-5162166 www.kehua.com

