

# Single-phase On-grid String Inverter

SPI7000~9000-B X2 Series



## Product Features

### Efficient and flexible

- Compatible with large current PV modules
- Lower startup & wider MPPT voltage range
- 2 MPPT design with precise MPPT algorithm

### Safe and reliable

- Integrated arc fault circuit interrupter
- Integrated DC&AC SPD
- IP66 for outdoor application
- AFCI protection, proactively reduces fire risk

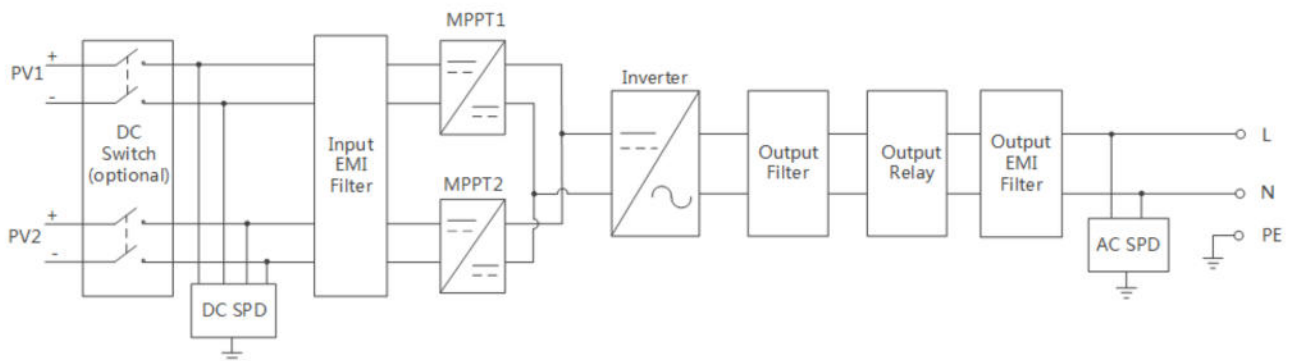
### Intelligent management

- Intelligent cloud platform monitoring, realizing one-key APP real-time monitoring
- Online IV curve scan and diagnosis
- Support RS485, Wifi, 4G and other communication methods
- With battery interface for ESS

### User friendly

- Plug and play installation
- No fan design and lower noise
- Light and compact with optimized heat dissipation design
- Ultra wide grid voltage range

## Function Diagram



# Technical Specification

Items	SPI7000-B X2	SPI8000-B X2	SPI9000-B X2
<b>DC Input (PV)</b>			
Max. PV input voltage		600Vdc	
Rated input voltage		360Vdc	
Max. PV input current		15A/15A	
No. of MPPTs		2	
No. of PV strings per MPPT		1/1	
MPPT voltage range		80~550Vdc	
Starting voltage		80Vdc	
DC switch		Yes (optional)	
<b>AC Output (On-grid)</b>			
Rated AC output power	7.0kW	8.0kW	9.0kW
Max. output power	7.7kVA	8.8kVA	9.0kVA
Rated AC output voltage		220Vac/230Vac	
Rated output current	30.4A	34.7A	39.1A
Max. output current	33.5A	38.3A	39.1A
Rated grid frequency		50/60Hz	
Grid frequency range		45~55Hz/55~65Hz	
Power factor		>0.99 (rated power)	
Adjustable power factor		0.8(leading)~0.8(lagging)	
THDI		<3% (rated power)	
<b>Efficiency</b>			
Max. efficiency		98.10%	
European efficiency		97.60%	
MPPT efficiency		99.90%	
<b>Function and protection</b>			
Anti-islanding		Yes	
DC (PV) reversed connection		Yes	
AC short circuit protection		Yes	
Temperature protection		Yes	
Surge protection		DC Type II & AC Type II	
AFCI function		Yes (optional)	
Integrated PID function		Yes (optional)	
IV curve scan and diagnosis		Yes (optional)	
Zero-export function		Yes (optional)	
Energy Storage function		Yes (optional)	
<b>General</b>			
Dimensions (W×H×D)		435×370×175mm	
Weight		14kg	
IP grade		IP66	
Self-consumption at night		<1W	
Cooling type		Natural cooling	
Altitude		4000m (>2000m derating)	
Operating temperature		-25°C~60°C	
Operating humidity		0~100%	
Display		LED+APP	
DC (PV) terminal		MC4 Terminal	
AC (On-grid) terminal		Plug and play connector	
Installation method		Wall-mounted	
Communication		CAN, RS485, DRM (optional), Bluetooth (optional), WiFi (optional)/4G (optional)	
Certification		IEC/EN62109-1, IEC/EN62109-2, EN61000, IEC62116, IEC61727, AS/NZS4777.2, INMETRO	

- Specifications are subject to change without prior notice.

## Kehua Digital Energy

Add: No. 457, Malong Road, Torch High-Tech Industrial Zone, Xiamen Fujian China

Tel: +86-592-5160516 Fax: +86-592-5162166 www.kehua.com

